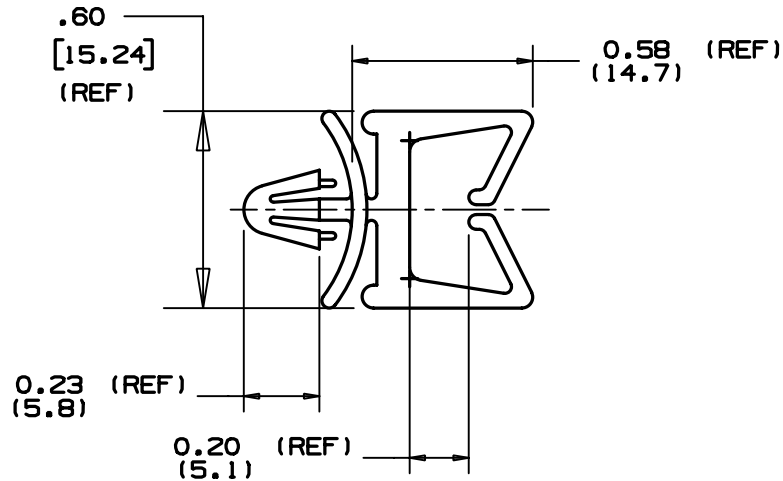


THIS COPY IS PROVIDED ON A RESTRICTED BASIS AND IS NOT TO BE USED IN ANY WAY DETRIMENTAL TO THE INTERESTS OF PANDUIT CORP.



PANDUIT PART NUMBER	MAXIMUM CABLE DIAMETER	PANEL DIMENSIONS		WEIGHT LBS./100 PCS. (g)
		THICKNESS	HOLE SIZE	
VWS4218	0.18 (4.6)	0.03/0.08 (0.8/2.0)	0.187/0.192 (4.7/4.9)	0.10 (46.6)

NOTE:

- SEE CURRENT PRICE SHEET FOR PART NUMBER SUFFIX DESIGNATION FOR PACKAGE SIZE AND PART COLOR.

(DIMENSIONS IN PARENTHESES ARE METRIC)
 CAD FILENAME/LAYERS G00239JA_VWS4218_01

PANDUIT CORP. TINLEY PARK, ILLINOIS

VERTICAL WIRE SADDLE
 VWS4218

UNLESS OTHERWISE SPECIFIED, DIMENSIONAL TOLERANCES ARE:
 (.X) ± N/A (.XXX) ± .010 (.25)
 (.XX) ± .02 (.5) ANGLES ± N/A

UNLESS OTHERWISE SPECIFIED, ALL DIMENSIONS ARE GIVEN IN INCHES, THIRD ANGLE PROJECTION.

REV	DATE	BY	CHK	DESCRIPTION	ECN	R	CUST	SUP
1	5/20/03	JAD		REMOVED 5 DIMS, ADDED 0.60 DIM	G80239JA	1		
R	3-13-02	LGG		INITIAL RELEASE REPLACED 8-00944. UPDATE W/REF'S TOOK 1 DIM OFF.	G80239JA	R		

DRAWN BY LGG	MAT'L: NYLON 6/6	SCALE 2/1
DATE 3/13/02		DWG NO. G80239JA
CHK'D		DWG SIZE A